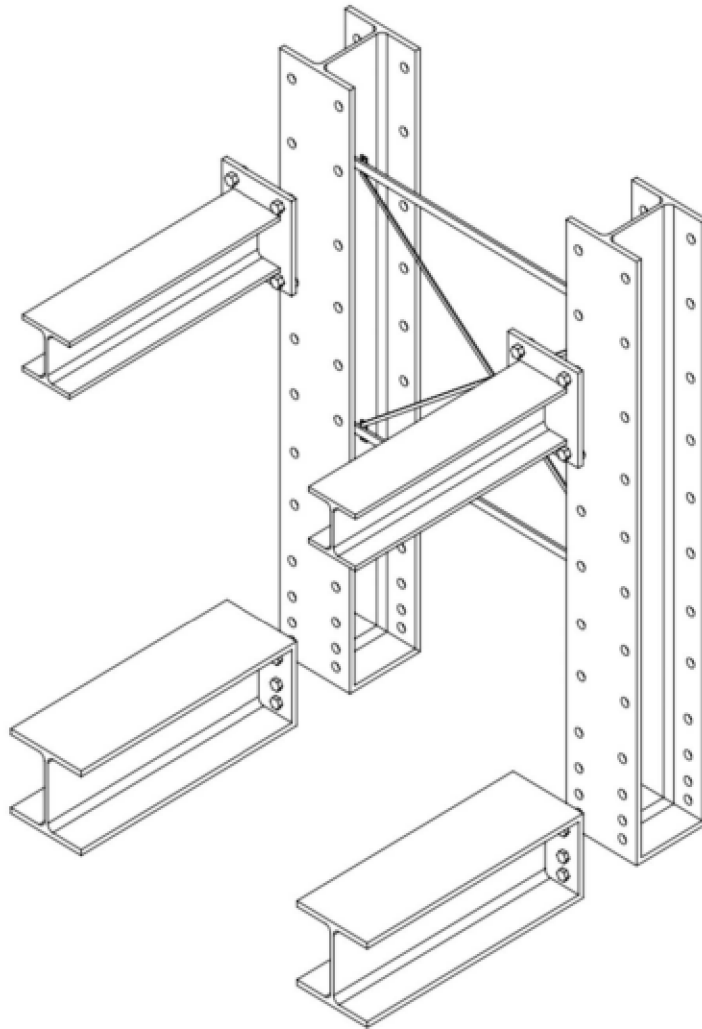




Structural Cantilever

Assembly Guide

Structural Cantilever Assembly Guide



ARM KIT

- (4) BOLT 3/4
- (4) HEXNUT 3/4
- (4) FLAT 3/4
- (4) WASHER 3/4

HORIZONTAL BRACE KIT

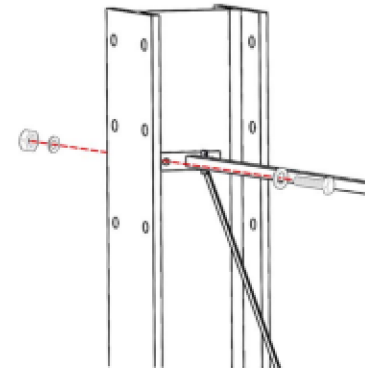
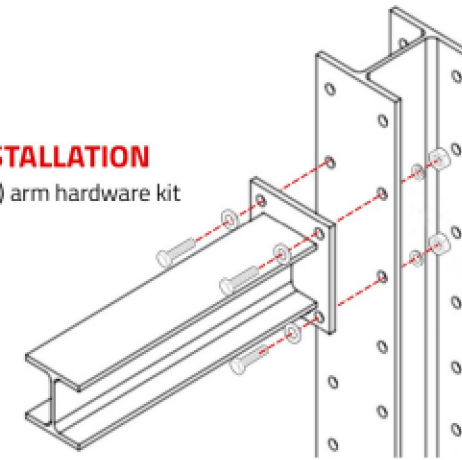
- (4) BOLT 1/2
- (4) HEXNUT 1/2
- (4) FLAT 1/2
- (4) WASHER 1/2

BASE KIT

- (6) BOLT 3/4
- (6) HEXNUT 3/4
- (6) FLAT 3/4
- (6) WASHER 3/4

ARM INSTALLATION

Requires (1) arm hardware kit

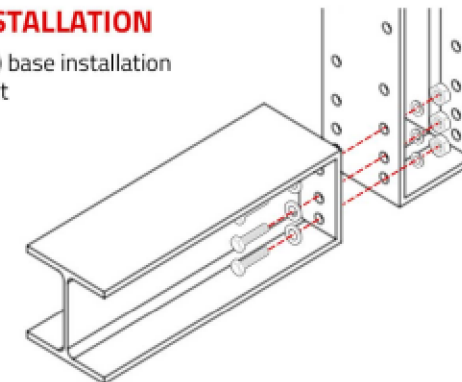


HORIZONTAL BRACE

Requires (1) horizontal brace installation hardware kit

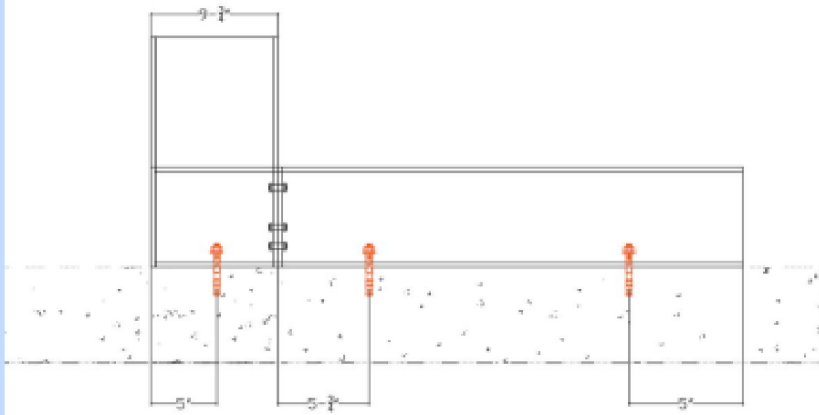
BASE INSTALLATION

Requires (1) base installation hardware kit



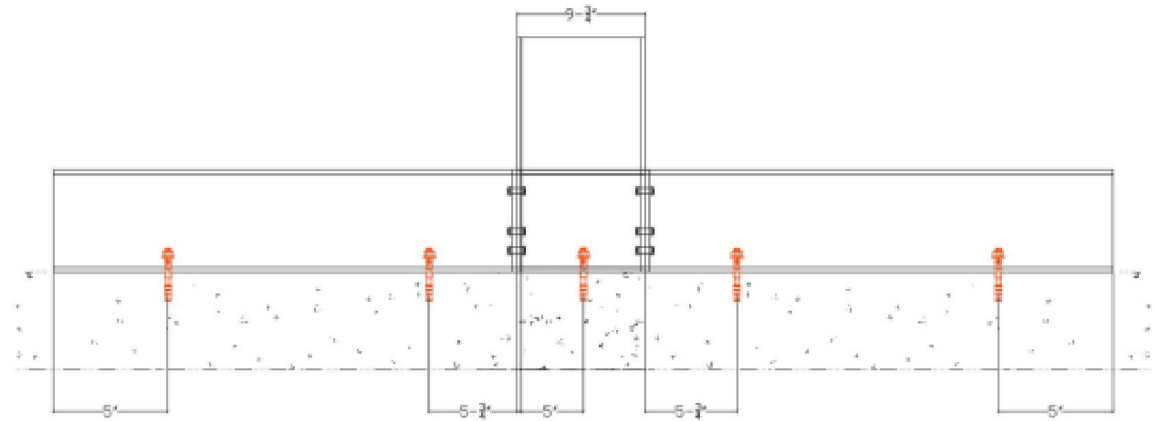
Floor Anchoring

Single Sided



REQUIRES 3 WEDGE ANCHORS 5/8" x 5"

Double Sided



REQUIRES 5 WEDGE ANCHORS 5/8" x 5"

Cantilever Brace Distribution Diagram

