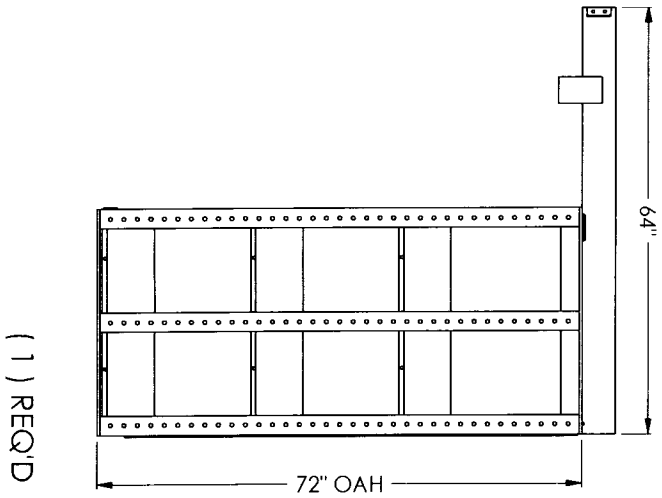
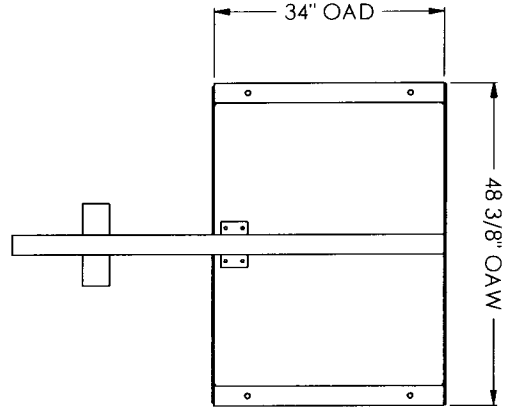
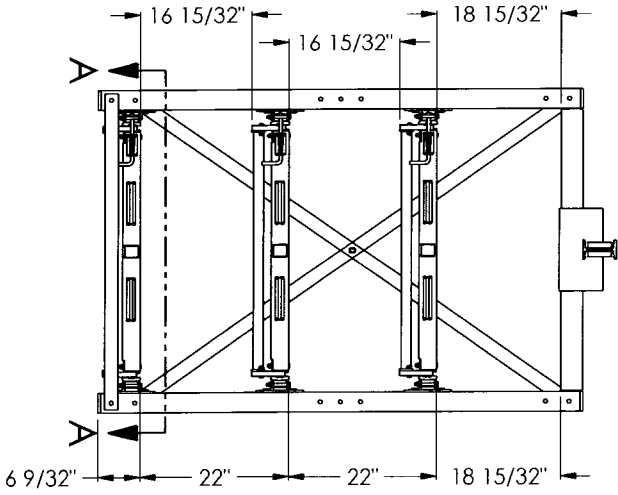
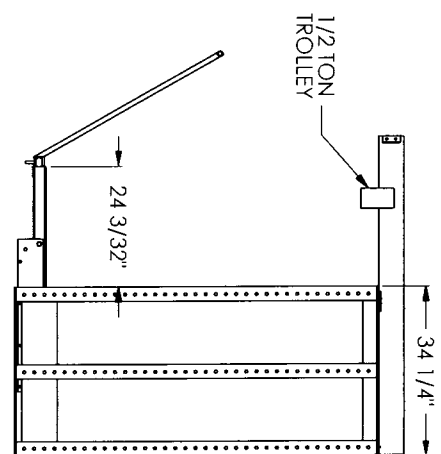
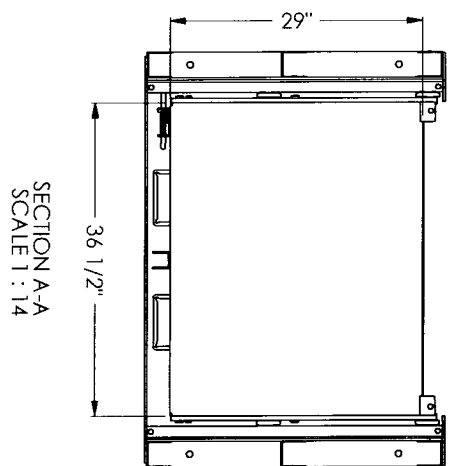


SHELF CLEARANCES



(1) REQ'D



- APPROVED AS SHOWN
- APPROVED AS NOTED

SIGNED \_\_\_\_\_  
DATE \_\_\_\_\_

LEAD TIME WILL BEGIN UPON  
RECEIPT OF A SIGNED APPROVAL  
DRAWING.

NOTICE:  
"THE CONTENTS OF THE DRAWING CONSTITUTE  
PROPRIETARY INFORMATION OF RACK ENGINEERING  
DIVISION AND ARE DEEMED TO BE CONFIDENTIAL.  
THIS DRAWING MAY NOT BE REPRODUCED OR COPIED  
OR FURNISHED TO THIRD PARTIES WITHOUT THE EXPRESS  
WRITTEN CONSENT OF RACK ENGINEERING DIVISION."

TITLE: 6' HIGH HD GLIDEOUT W (3) 36" W. X 24" D.  
SHELVES

SIZE **B** DWG. NO. **651765-35A** REV **A+**  
DRAWN BY: david.werhitt DATE: 10/26/2006 10:59:30 AM