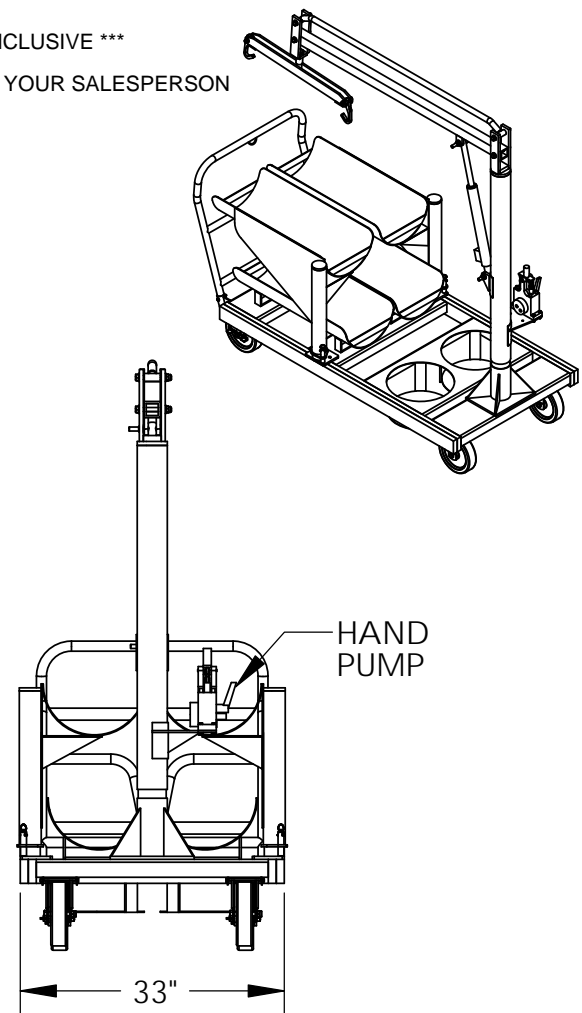
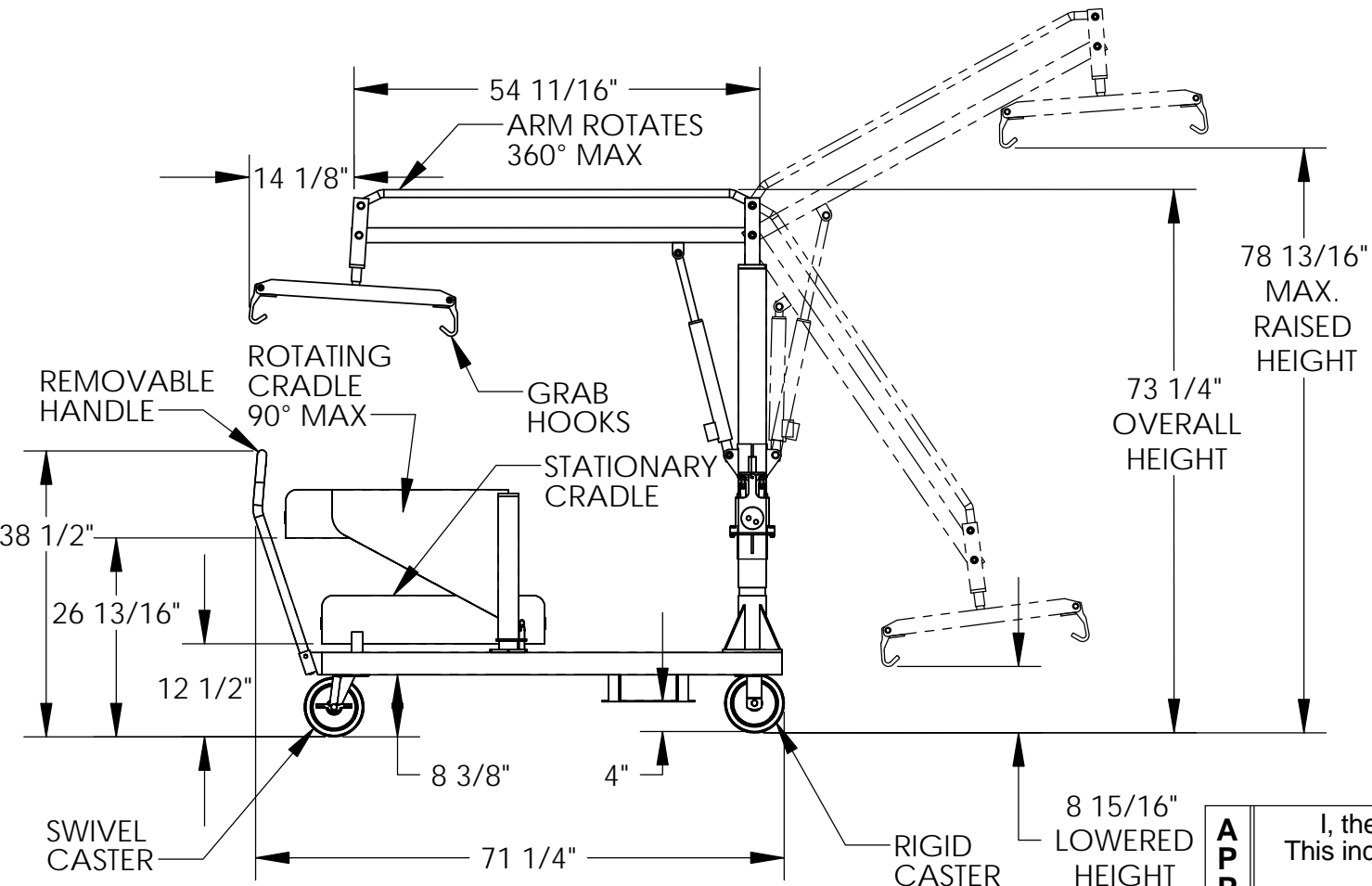


LP TANK TRUCK - LP-6

APPROXIMATE WEIGHT IS: 642.12 lbs.

*** ANY ADDITIONS, DELETIONS, OR OMISSIONS MUST BE CORRECTED ON THIS DRAWING AS THIS DRAWING WILL BE CONSIDERED ALL INCLUSIVE ***
 ALL GRAPHICS PROVIDED ARE FOR REFERENCE ONLY. IF CERTAIN DIMENSIONS ARE CRITICAL PLEASE VERIFY THOSE DIMENSIONS WITH YOUR SALESPERSON



STANDARD FEATURES

- MODEL NUMBER: LP-6
- STORAGE CAPACITY: 6 LP TANKS
- ARM SERVICE RANGE: 15 1/4" TO 89 3/4"
- OVERALL WIDTH: 33"
- OVERALL LENGTH: 71 1/4"
- OVERALL HEIGHT: 73 1/4"
- GROUND CLEARANCE: 4" AT REAR OF UNIT
8 3/8" AT FRONT OF UNIT
- 8 X 2 GLASS FILLED NYLON CASTERS:
TWO SWIVEL W/BRAKE, TWO RIGID

SPECIAL FEATURES

NONE

**ALL SPECIAL UNITS
ARE NON-RETURNABLE**

APPROVAL	I, the undersigned, hereby approve this print. This includes my approval of design & dimensions	
	<input type="checkbox"/> As drawn	<input type="checkbox"/> As marked
	Signed: _____	Date: _____
	LEAD TIME WILL START UPON RECEIPT OF SIGNED APPROVAL DRAWING	

DISTRIBUTOR'S NAME: VESTIL MANUFACTURING		P.O.# X
DRAWN BY: N.F.		W.O.# X
DATE: 01/26/06	SCALE: 1:24	SALES: X
REFERENCE: 33-001-146	QUOTE # X	FILE NAME: 33-007-146